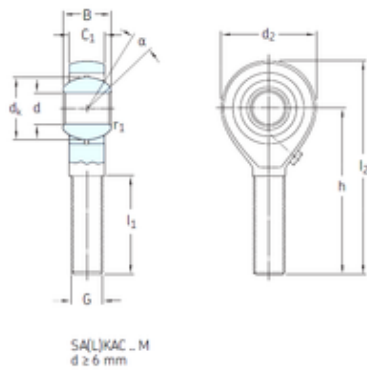




DEC Bearing Industrial Limited

SKF SAKAC18M plain bearings



Bearing No. SAKAC18M

Bore Diameter	18 mm
d	18 mm
d2 max.	47 mm
dk	31,7 mm
h	72 mm
l1 min.	41 mm
l2 max.	97 mm
r1 min.	0,3 mm
B	23 mm
C1	16,5 mm
Thread (G)	M18x1,5 Tolerance 6g
Angle	16 °
Weight	0,26 Kg
Basic dynamic load rating (C)	26 kN

SAKAC18M Bearing 2D drawings and 3D CAD models