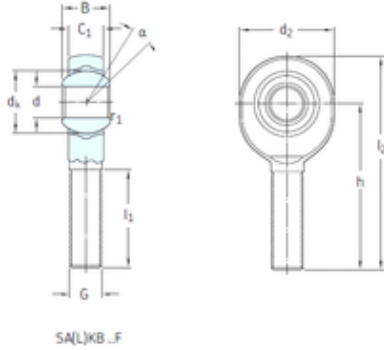




# DEC Bearing Industrial Limited

## SKF SAKB14F plain bearings



Bearing No. SAKB14F

Bore Diameter	14 mm
d	14 mm
d2 max.	37 mm
dk	25,4 mm
h	60 mm
l1 min.	36 mm
l2 max.	80 mm
r1 min.	0,3 mm
B	19 mm
C1 max	13,5 mm
Thread (G)	M14 Tolerance 6g
Angle	16 °
Weight	0,13 Kg
Basic dynamic load rating (C)	17 kN

SAKB14F Bearing 2D drawings and 3D CAD models