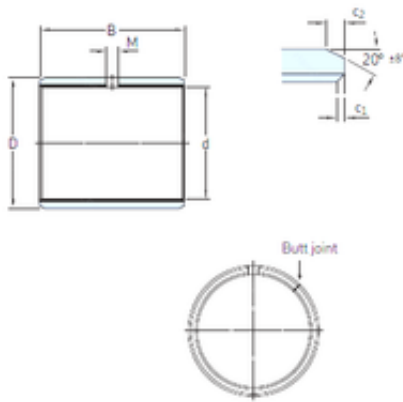




DEC Bearing Industrial Limited

SKF PCZ 2624 M plain bearings



Bearing No. PCZ 2624 M

Size	41.275x45.244x38.1 mm
Bore Diameter	41,275 mm
Outer Diameter	45,244 mm
Width	38,1 mm
d	41,275 mm
D	45,244 mm
B	38,1 mm
c1 min	0,1 mm
c2 min	0,8 mm
M	5 mm
Weight	0,069 Kg
Basic dynamic load rating (C)	186 kN
c ₁ min.	0.1 mm
c ₁ max.	0.7 mm
c ₂ min.	0.8 mm
c ₂ max.	1.6 mm
± 8	20 °
Shaft diameter range min.	40.937 mm
Shaft diameter range max.	40.978 mm
Housing bore range min.	45.245 mm
Housing bore range max.	45.268 mm
Basic dynamic load rating - radial direction C	186 kN
Basic static load rating - radial direction C ₀	380 kN
Specific dynamic load factor	120 N/mm ²

PCZ 2624 M Bearing 2D drawings and 3D CAD models



DEC Bearing Industrial Limited

K	
Specific static load factor K_0	250 N/mm ²
Factor depending on material and bearing type K_M	1900
Permissible sliding velocity v min.	0 m/s
Permissible sliding velocity v max.	2.5 m/s
Coefficient of friction μ min.	0.02
Coefficient of friction μ max.	0.2
Mass bushing	0.069 kg